



75W Polycrystalline Solar Panels

ELECTRICAL SPECIFICATIONS

*STC : Irradiance 1000W/m², AM1.5 spectrum, module temperature 25°C

Model Type	SS-75
Peak power (Pmax)	75
Cell Efficiency	19%
Maximum power voltage (Vmp)	18.56V
Maximum power current (Imp)	4.06A
Open circuit voltage (Voc)	22.14V
Short circuit current (Isc)	4.29A
Power Tolerance	±2%
Maximum system voltage	1000V
Series fuse rating (A)	15
Number of bypass diode	2

THERMAL PARAMETERS

Tc of Open Circuit Voltage	- 0.310% / °C
Tc of Short Circuit Current	0.052% / °C
Tc of Power	- 0.41% / °C
NOCT	45 °C ± 2 °C
Operating Range	40 °C to +85 °C

MECHANICAL CHARACTERISTICS

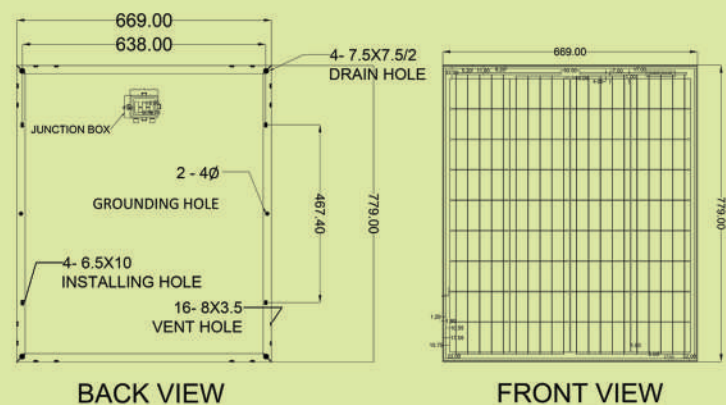
Dimensions:	779 x 669
Weight:	8Kg
Solar Cells:	36 cells in series
Construction:	High transmission low iron tempered glass
Frame:	Anodized aluminum Frame
Mechanical Load Test :	5400PA

OUTPUT (OPTIONAL)

Cable:	(4mm ²)
Length:	1000mm
Connector:	MC Plug Tyle IV



MODULE DIAGRAM



BACK VIEW

FRONT VIEW

ELECTRICAL PERFORMANCE

IV CURVES

